

# Thrust Ball Bearings

Bearing No. : **NACHI 53236U**

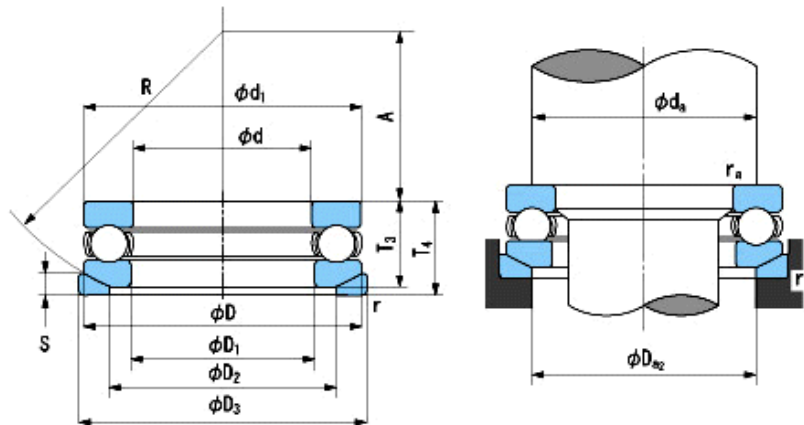
■ Bearing Type

■ Clearance

■ Tolerance Class

### Dimensions

d = 180	0
	-0.025
D = 250	0
	-0.030
T3 = 58.2	
T4 = 66	
r = 1.5~3.5	
(Radial Direction and Axial Direction)	
d1(max) = 247	
D1(min) = 183	
D2 = 210	
D3 = 260	
S = 21.5	
R = 200	
A = 112	



### Dimensions

da(min) = 222
Da2(max) = 210
ra(max) = 1.5
Mass = 10.5 kg

Basic Dynamic Load Rating Ca : **266,000** N

Basic Static Load Rating Coa : **875,000** N

Limiting Speed ;

Grease Lubrication : **810** min<sup>-1</sup>

Oil Lubrication : **1,200** min<sup>-1</sup>

O.D.Surface Runout with Side :

Axial Runout with Bore :

Axial Runout with Raceway :

Width Variation :

Radial Runout :

INNER RING

OUTER RING